

Shock Absorber Soft Type

25A-RJ Series

RoHS



How to Order

O.D. thread size/Stroke

Symbol	O.D. thread	Stroke
0604	6 mm	4 mm

Option

Symbol	Hexagon nut
Nil	2 pcs.
N	—

25A - RJ 0604

25A - RJ 0806 H U

Series compatible with secondary batteries

Shock absorber/Soft type

O.D. thread size/Stroke

Symbol	O.D. thread	Stroke
0806	8 mm	6 mm
1007	10 mm	7 mm
1412	14 mm	12 mm
2015	20 mm	15 mm
2725	27 mm	25 mm

Option

Symbol	Hexagon nut	Stopper nut
Nil	2 pcs.	—
J	3 pcs.	—
N	—	—
S	2 pcs.	1 pc.
SJ	3 pcs.	1 pc.
SN	—	1 pc.

With cap

Symbol	Basic type
Nil	Basic type
U	With urethane cap

Collision speed range

Symbol	Collision speed range
H	0.05 to 2 m/s
L	0.05 to 1 m/s

* RJ0604: 0.05 to 1.0 m/s
* RJ2725H: 0.05 to 1.5 m/s

Hexagon Nut, Stopper Nut (Option) Part Nos. for the 25A- Series

		Thread size					
		M6	M8	M10	M14	M20	M27
Hexagon nut		25A-RJ06J	25-RB08J	25-RB10J	25-RB14J	25-RB20J	25-RB27J
Stopper nut	Basic type	—	25-RB08S	25-RB10S	25-RB14S	25-RB20S	25-RB27S
	With cap		25-RBC08S	25-RBC10S	25-RBC14S	25-RBC20S	25-RBC27S

Material: Special steel
Treatment: Electroless nickel plating

* The 25A- series specifications and dimensions are the same as those of the standard model.

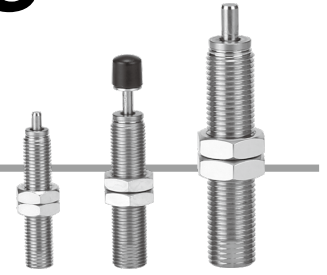
For details, refer to the [Web Catalog](#).

Shock Absorber Short Stroke Type

RoHS

25A-RJ Series

How to Order



Short stroke type

25A - RJ 0805 U

Series compatible with secondary batteries

Shock absorber/Soft type

O.D. thread size/Stroke

Symbol	O.D. thread	Stroke
0805	8 mm	5 mm
1006	10 mm	6 mm
1410	14 mm	10 mm

Option

Symbol	Hexagon nut	Stopper nut
Nil	2 pcs.	—
J	3 pcs.	—
N	—	—
S	2 pcs.	1 pc.
SJ	3 pcs.	1 pc.
SN	—	1 pc.

With cap

Nil	Basic type
U	With urethane cap

Hexagon Nut, Stopper Nut (Option) Part Nos. for the 25A- Series

	Thread size		
	M8	M10	M14
Hexagon nut	25-RB08J	25-RB10J	25-RB14J
Stopper nut	Basic type	25-RB08S	25-RB10S
	With cap	25-RBC08S	25-RBC10S

Material: Special steel
Treatment: Electroless nickel plating

* The 25A- series specifications and dimensions are the same as those of the standard model.

For details, refer to the [Web Catalog](#).

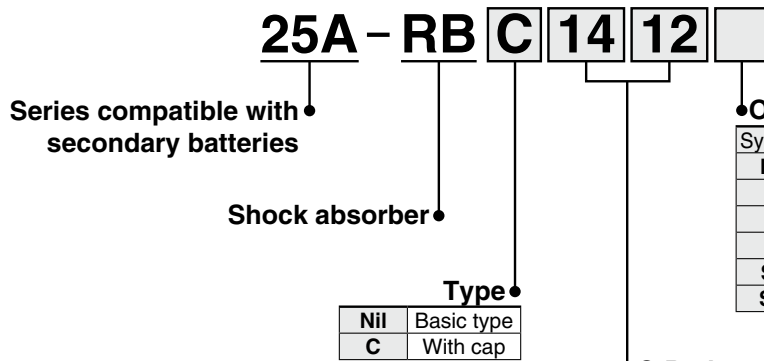
Shock Absorber



25A-RB/RBC Series



How to Order



Option

Symbol	Hexagon nut	Stopper nut
Nil	2 pcs.	—
J	3 pcs.	—
N	—	—
S	2 pcs.	1 pc.
SJ	3 pcs.	1 pc.
SN	—	1 pc.

O.D. thread size/Stroke

Symbol	O.D. thread size	Stroke	Symbol	O.D. thread size	Stroke
0805	8 mm	5 mm	1411	14 mm	11 mm
0806	8 mm	6 mm	1412	14 mm	12 mm
1006	10 mm	6 mm	2015	20 mm	15 mm
1007	10 mm	7 mm	2725	27 mm	25 mm

Hexagon Nut, Stopper Nut (Option) Part Nos. for the 25A- Series

		Thread size				
		M8	M10	M14	M20	M27
Hexagon nut		25-RB08J	25-RB10J	25-RB14J	25-RB20J	25-RB27J
Stopper nut	Basic type	25-RB08S	25-RB10S	25-RB14S	25-RB20S	25-RB27S
	With cap	25-RBC08S	25-RBC10S	25-RBC14S	25-RBC20S	25-RBC27S

Material: Special steel
Treatment: Electroless nickel plating

* The 25A- series specifications and dimensions are the same as those of the standard model.

For details, refer to the [Web Catalog](#).