

Series 10-21-AF-A Air Filter

How to Order

Clean series

10 - AF 30 - F 03 B - J - A
 21 - AF 30 - F 03 B - J - A

① Air filter

* "J" must always be selected.

Copper, fluorine and silicone-free +
 Low particle generation



- Option/Semi-standard: Select one each for a to e.
- Option/Semi-standard symbol: When more than one specification is required, indicate in alphanumeric order.

		Symbol	Description	① Body size				
				20	30	40	50	60
②	Pipe thread type	Nil	Metric thread (M5)	—	—	—	—	—
		N ^{Note 1)}	Rc	●	●	●	●	●
		F ^{Note 2)}	NPT	●	●	●	●	●
		F ^{Note 2)}	G	●	●	●	●	●
③	Port size	+ 01	1/8	●	—	—	—	—
		+ 02	1/4	●	●	●	—	—
		+ 03	3/8	—	●	●	—	—
		+ 04	1/2	—	—	●	—	—
		+ 06	3/4	—	—	●	●	—
		+ 10	1	—	—	—	●	●
④ Option	a Mounting	Nil	Without mounting option	●	●	●	●	●
		B ^{Note 3)}	With bracket	●	●	●	●	●
⑤ Semi-standard	b Bowl	Nil	Polycarbonate bowl	●	●	●	●	●
		2	Metal bowl	●	●	●	●	●
		6	Nylon bowl	●	●	●	●	●
		8	Metal bowl with level gauge	—	—	—	—	—
		C	With bowl guard	●	— ^{Note 6)}	— ^{Note 6)}	— ^{Note 6)}	— ^{Note 6)}
		6C	With bowl guard (Nylon bowl)	●	— ^{Note 7)}	— ^{Note 7)}	— ^{Note 7)}	— ^{Note 7)}
c With drain cock	J ^{Note 4)}	Drain guide 1/8	●	—	—	—	—	
		Drain guide 1/4	—	●	●	●	●	
d Flow direction	Nil	Flow direction: Left to right	●	●	●	●	●	
		Flow direction: Right to left	●	●	●	●	●	
e Pressure unit	Nil	Name plate and caution plate for bowl in SI units: MPa	●	●	●	●	●	
		Z ^{Note 5)} Name plate and caution plate for bowl in imperial units: psi, °F	○ ^{Note 8)}	○ ^{Note 8)}	○ ^{Note 8)}	○ ^{Note 8)}	○ ^{Note 8)}	

Note 1) Drain guide is NPT1/8 (applicable to size 20), and NPT1/4 (applicable to size 30 to 60).

Note 2) Drain guide is G1/8 (applicable to size 20), and G1/4 (applicable to size 30 to 60).

Note 3) Bracket is not assembled and is supplied loose at the time of shipment.

Note 4) Without a valve function.

Note 5) For NPT thread type. This product is for overseas use only according to the new Measurement Law. (The SI unit type is provided for use in Japan).

Note 6) A bowl guard is provided as standard equipment (polycarbonate).

Note 7) A bowl guard is provided as standard equipment (nylon).

Note 8) ○: For pipe thread type: NPT only

Air Filter ¹⁰⁻/₂₁₋AF-A

Standard Specifications

Model	10-/21-AF20-A	10-/21-AF30-A	10-/21-AF40-A	10-/21-AF40-06-A	10-/21-AF50-A	10-/21-AF60-A
Port size	1/8, 1/4	1/4, 3/8	1/4, 3/8, 1/2	3/4	3/4, 1	1
Fluid	Air					
Proof pressure	1.5 MPa					
Maximum operating pressure	1.0 MPa					
Ambient & fluid temperature	-5 to 60°C (No freezing)					
Nominal filtration rating	5 μm					
Air flow capacity ^{Note 1)} {L/min (ANR)}	800 (1/8) 1000 (1/4)	1600 (1/4) 2100 (3/8)	1600 (1/4) 2800 (3/8) 3700 (1/2)	4200 (3/4)	6100 (3/4) 7000 (1)	8200 (1)
Drain capacity (cm ³)	8	25	45	45	45	45
Drain guide port size	1/8	1/4	1/4	1/4	1/4	1/4
Grease	10-: Fluorine grease 21-: Lithium soap based grease					
Cleanliness class (ISO class)	10-: Class 3 21-: Class 3					

Note 1) Inlet side pressure: 0.5 MPa, Pressure drop: 0.05 MPa (Representative value).

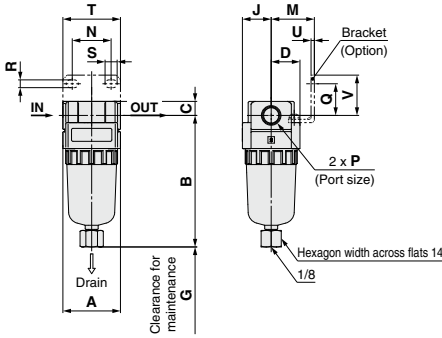
Accessory Part No.

Option	Applicable model	10-/21-AF20-A	10-/21-AF30-A	10-/21-AF40-A	10-/21-AF40-06-A	10-/21-AF50-A	10-/21-AF60-A
Bracket assembly ^{Note 2)}		AF22P-050AS	AF32P-050AS	AF42P-050AS	AF42P-070AS	AF52P-050AS	

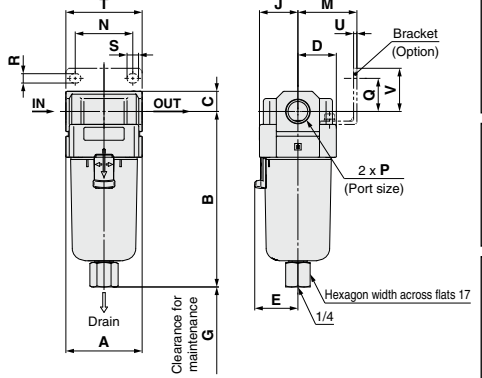
Note 2) Assembly includes a bracket and 2 mounting screws.

Dimensions

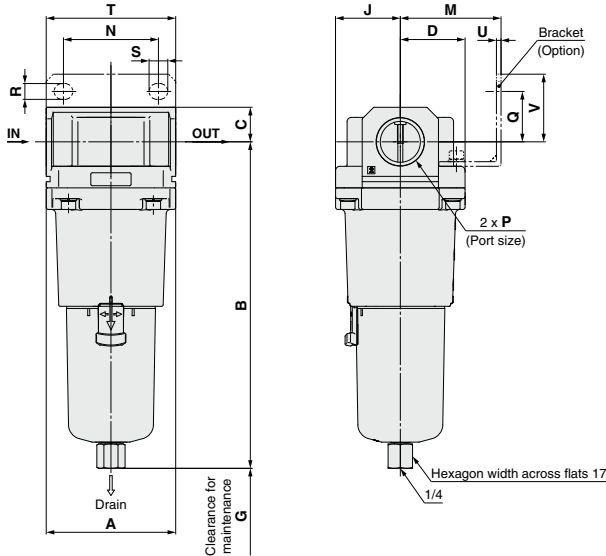
10-21-AF20-A



10-21-AF30-A to 40-06-A



10-21-AF50/60-A



Applicable model	10-21-AF20-A				10-21-AF30-A to 60-A			
Semi-standard specifications	With bowl guard		Metal bowl		Metal bowl		Metal bowl with level gauge	
Dimensions								

Model	Standard specifications										Semi-standard specifications										
	P	A	B	C	D	E	G	J	M	N	Q	R	S	T	U	V	With bowl guard		Metal bowl		Metal bowl with level gauge
10-21-AF20-A	1/8, 1/4	40	91.4	9.8	20	—	25	20	30	27	22	5.4	8.4	40	2.3	28	91.4	93.9	—	—	—
10-21-AF30-A	1/4, 3/8	53	121.9	14	26.7	30	35	26.7	41	35	23	6.5	13	53	2.3	30	—	—	122.1	142.1	—
10-21-AF40-A	1/4, 3/8, 1/2	70	153.9	18	35.5	38.4	40	35.5	50	52	26	8.5	12.5	70	2.3	35	—	—	154.1	174.1	—
10-21-AF40-06-A	3/4	75	155.9	20	35.5	38.4	40	35.5	50	52	25	8.5	12.5	70	2.3	34	—	—	156.1	176.1	—
10-21-AF50-A	3/4, 1	90	226.9	24	45	—	30	45	70	66	35	11	13	90	3.2	47	—	—	227.1	247.1	—
10-21-AF60-A	1	95	240.9	24	47.5	—	30	47.5	70	66	35	11	13	90	3.2	47	—	—	241.1	261.1	—

- Directional Control Valves
- Air Cylinders
- Rotary Actuators
- Air Grippers
- Air Preparation Equipment
- Modular F. R.
- Pressure Control Equipment
- Fittings & Tubing
- Flow Control Equipment
- Pressure Switches/Pressure Sensors