

Tool Changer

One-push Type/Clamp Type



2 types of manual tool changers

One-push Type

Tools can be attached/removed by the push of a button (no tools required).

Main plate

Push button

Slide

Tool plate

- Work load: 10 kg
- Repeatability: ± 0.01 (Position reproducibility)

Clamp Type

Tools can be attached/removed by clamping bolts (2 pcs).

Main plate

Clamping bolt

Tool plate

- Work load: 20 kg
- Repeatability: ± 0.02 (Position reproducibility)

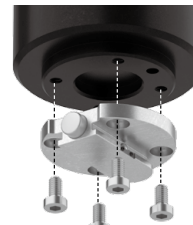
Allows for the easy manual exchange of robot hand tools



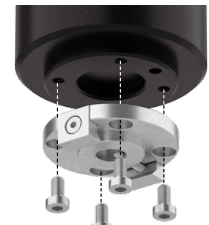
Standards:

ISO9409-1-50-4-M6 compliant

Compatible with the flanges of most major collaborative robots



RMTM1



RMTM2

Compact, Lightweight

Type	Height	Weight
One-push type	18.5 mm	137 g*1
Clamp type	16 mm	137 g*1



*1 The weight of the mounting bolts and positioning pins is not included.

Tool Changer

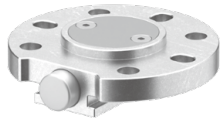
One-push Type/Clamp Type

RMTM Series

How to Order



One-push Type



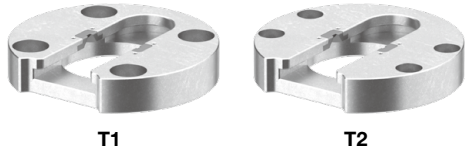
Main Plate RMTM 1 - M 1 - X101

Body specifications

1	One-push type
---	---------------

Standards

1	ISO9409-1-50-4-M6 compliant
---	-----------------------------



Tool Plate RMTM 1 - T 1 - X101

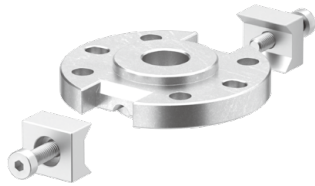
Body specifications

1	One-push type
---	---------------

Mounting pitch

1	Standards: ISO9409-1-50-4-M6 compliant
2	RMH mounting compatible

Clamp Type



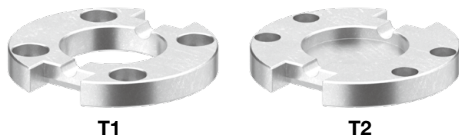
Main Plate RMTM 2 - 4 M1

Body specifications

2	Clamp type
---	------------

Mounting compatibility

4	Standards: ISO9409-1-50-4-M6 compliant
---	--



Tool Plate RMTM 2 - 4 T 1

Body specifications

2	Clamp type
---	------------

Mounting pitch

1	ISO compliant
2	RMH mounting compatible

Standards

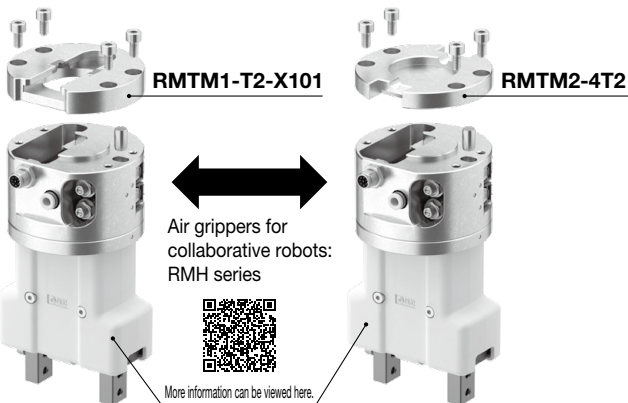
4	ISO9409-1-50-4-M6 compliant
---	-----------------------------

RMH Mounting Compatible Option (Tool Plate)

Tool plate that can be mounted on RMH series air grippers for collaborative robots. Select when changing between the clamp type and the one-push type.

One-push Type

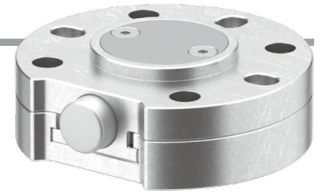
Clamp Type



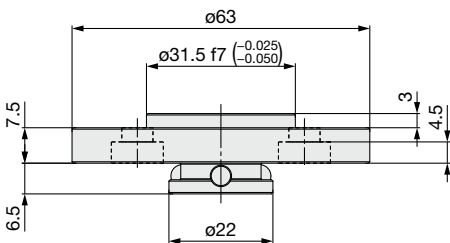
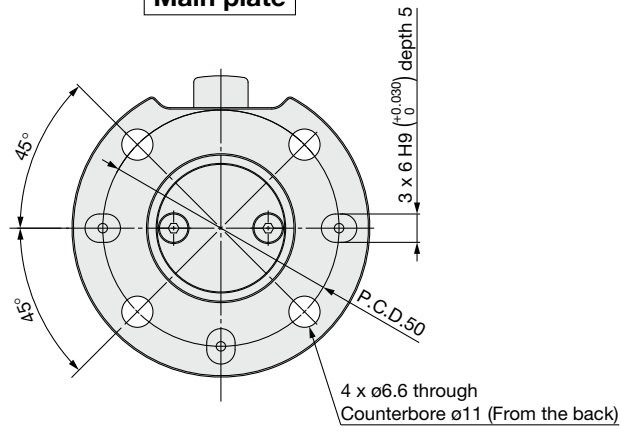
Specifications

Model	RMTM1 (One-push type)	RMTM2 (Clamp type)
Work load	10 kg	20 kg
Repeatability (Position reproducibility)	±0.01	±0.02
Weight	Main plate	84 g
	Tool plate (T1)	53 g
	Tool plate (T2)	58 g
Moment resistance	20 N·m	60 N·m
Torque resistance	20 N·m	60 N·m
Standards	ISO9409-1-50-4-M6	ISO9409-1-50-4-M6
Recommended connection torque	—	2.7 to 3.3 N·m
Operating temperature range	0 to 60°C (No freezing)	0 to 60°C (No freezing)

Dimensions: One-push Type/RMTM1



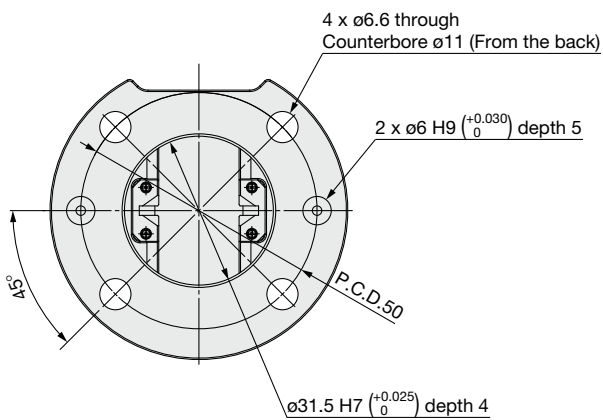
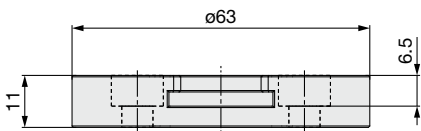
Main plate



Accessories

- Hexagon thin socket head bolt: M6 x 10 (4 pcs.)
- Positioning pin: 6 x 10 Type B (1 pc.)

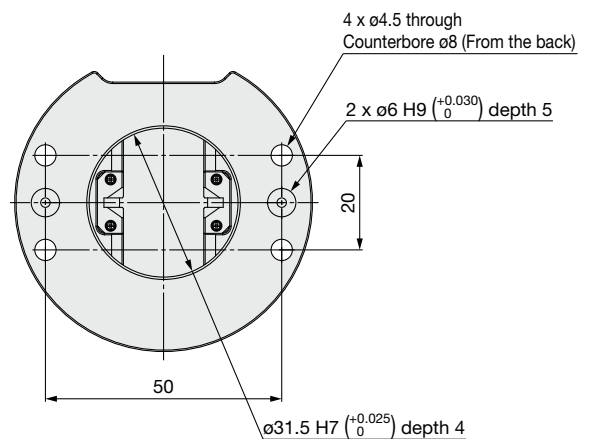
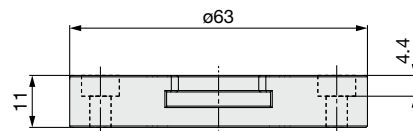
Tool plate (T1)



Accessories

- Hexagon thin socket head bolt: M6 x 10 (4 pcs.)
- Positioning pin: 6 x 10 Type B (1 pc.)

Tool plate (T2)

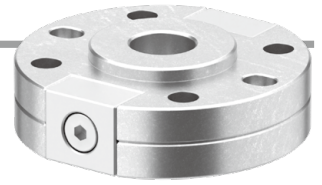


Accessories

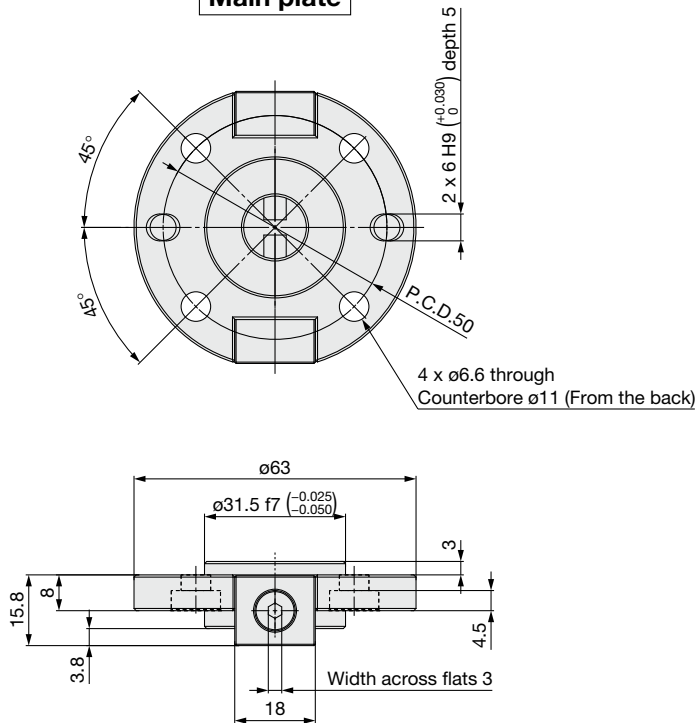
- Hexagon thin socket head bolt: M4 x 10 (4 pcs.)
- Positioning pin: 6 x 10 Type B (1 pc.)

RMTM Series

Dimensions: Clamp Type/RMTM2



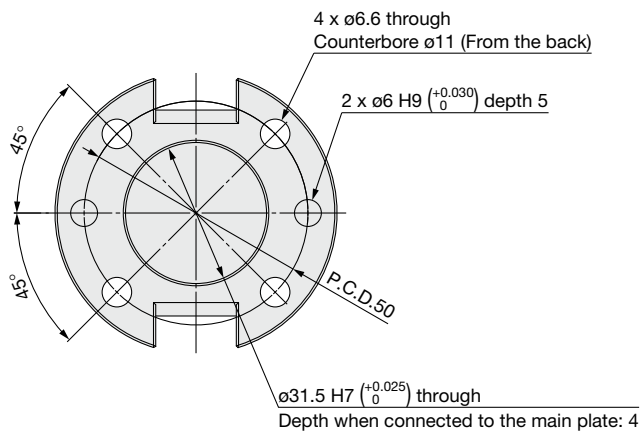
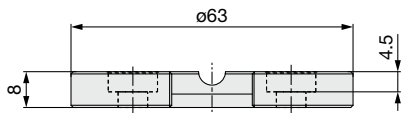
Main plate



Accessories

- Hexagon thin socket head bolt: M6 x 10 (4 pcs.)
- Positioning pin: 6 x 10 Type B (1 pc.)

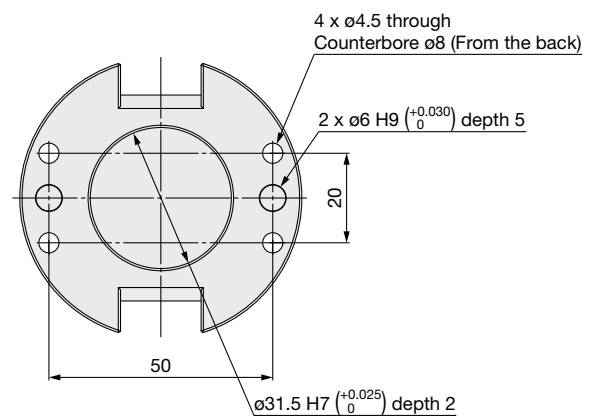
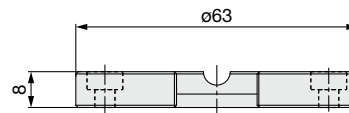
Tool plate (T1)



Accessories

- Hexagon thin socket head bolt: M6 x 10 (4 pcs.)
- Positioning pin: 6 x 10 Type B (1 pc.)

Tool plate (T2)



Accessories

- Hexagon thin socket head bolt: M4 x 8 (4 pcs.)
- Positioning pin: 6 x 10 Type B (1 pc.)



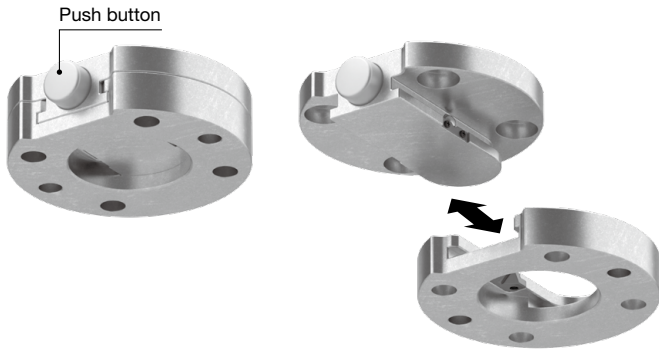
RMTM Series

Specific Product Precautions

Be sure to read this before handling the products. For safety instructions as well as air gripper and auto switch precautions, refer to the “Handling Precautions for SMC Products” and the “Operation Manual” on the SMC website: <https://www.smcworld.com>

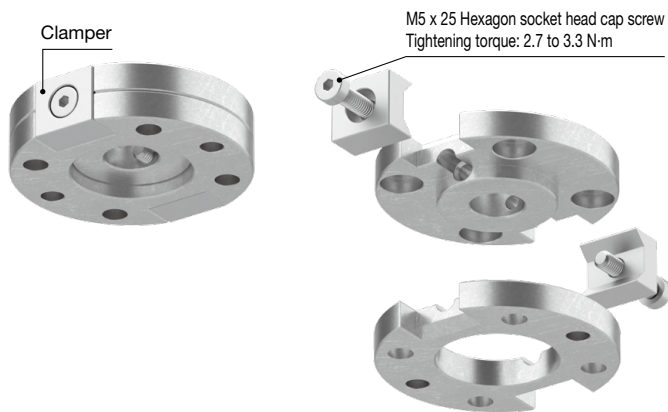
Connection and Disconnection Procedures (One-push Type)

1. Connection/disconnection is possible by sliding the tool plate while pushing down on the push button.



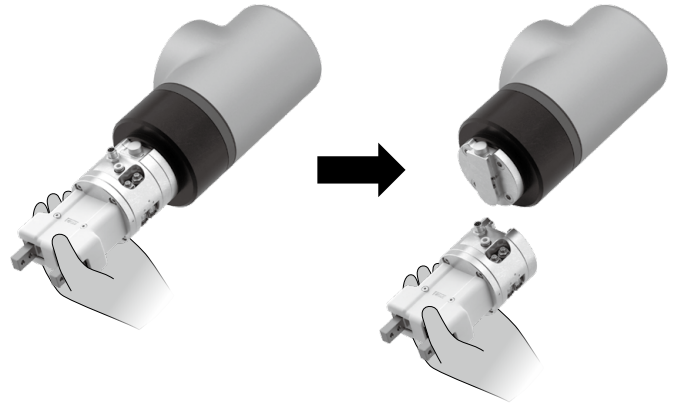
Connection and Disconnection Procedures (Clamp Type)

1. Disconnection is possible by loosening the bolts that secure the clampers in place on both sides. When connecting, align the clampers with the grooves in the tool plate, and tighten the bolts on both sides.




Safety Instructions (One-push Type)

1. Depending on the robot's positioning, the tool may slide out under its own weight when the button is pushed. Therefore, when exchanging tools, take note of the robot's positioning, and support the tool to be removed with your hands if needed.



2. Confirm that the push button has returned to its original height and that the tool plate is securely locked in place. If locking is insufficient, dropping of the tool or workpiece may result.

 **Safety Instructions** Be sure to read the “Handling Precautions for SMC Products” (M-E03-3) and “Operation Manual” before use.

SMC Corporation <https://www.smcworld.com>

Specifications are subject to change without prior notice and any obligation on the part of the manufacturer.
© 2025 SMC Corporation All Rights Reserved

D-G