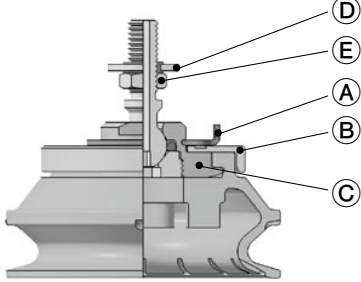

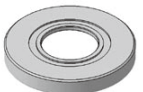
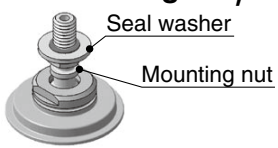


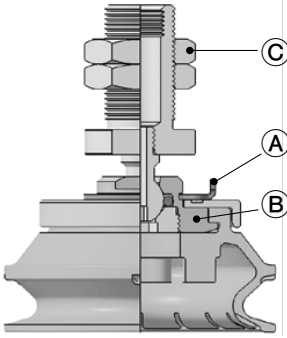
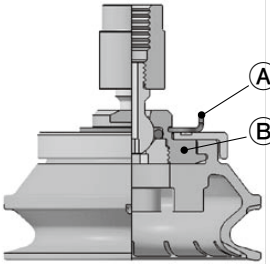

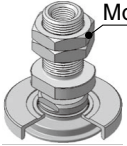
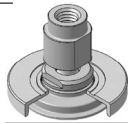
High Rigidity Pad *ZP3E* Series Ball Joint Type Mounting Bracket Assembly

Adapter Assembly: Vacuum Inlet Direction **Vertical** T Type/ZP3E-TF

Product part no.	ZP3E - TF ① ② □ - ③ (AL6/AL12)
	Pad diameter • Pad form • Pad material • Connection thread (Male thread) •
Component parts	<div style="display: flex; justify-content: space-around; align-items: flex-start;"> <div style="text-align: center;">  </div> <div style="text-align: center;"> <p>Ⓐ Stopper</p>  <p>Ⓑ Holder</p>  <p>Ⓒ Ball joint unit (With seal washer) (With mounting nut)</p>  </div> </div>

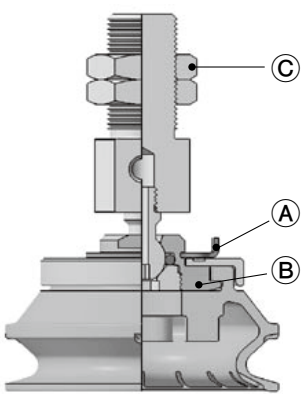
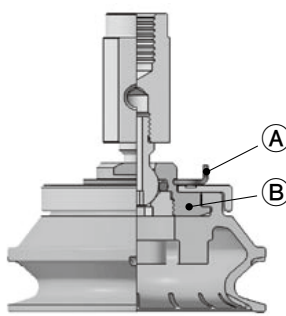

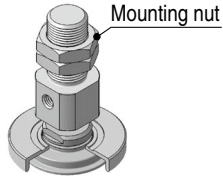
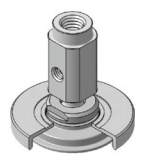
		Symbol	① Pad diameter symbol							
			32	40	50	63	80	100	125	
Ⓐ Stopper			ZP3EA-S1				ZP3EA-S2			
Ⓑ Holder	② Pad form	Flat type with groove	UM		ZP3EA-H1B	ZP3EA-H2B	ZP3EA-H3B		ZP3EA-H4B	ZP3EA-H5B
		Bellows type with ribs and groove	BM				ZP3EA-H3B	ZP3EA-H4B	ZP3EA-H5B	ZP3EA-H6B
Ⓒ Ball joint unit	② Pad form	Flat type with groove	UM		ZP3EA-F1-AL6	ZP3EA-F2-AL6	ZP3EA-F3-AL12		ZP3EA-F4-AL12	ZP3EA-F5-AL12
		Bellows type with ribs and groove	BM				ZP3EA-F3-AL12	ZP3EA-F4-AL12	ZP3EA-F5-AL12	ZP3EA-F6-AL12
Ⓓ Seal washer (Single unit)		M6 x 1	ZP3EA-SW6				—			
		M12 x 1.25	—				ZP3EA-SW12			
Ⓔ Mounting nut (Single unit)		M6 x 1	SNJ-006C				—			
		M12 x 1.25	—				ZPNA-M12			

Adapter Assembly: Vacuum Inlet Direction Vertical T Type/ZP3E-TF

Product part no.	<p style="text-align: center;">ZP3E - TF ① ② □ - ③ (AL14/AL16/B8/B12)</p> <p style="text-align: center;"> Pad diameter ● Pad form ● Pad material ● Connection thread (Male/Female thread) ● </p>
Component parts	<div style="display: flex; justify-content: space-around; align-items: flex-start;"> <div style="text-align: center;">  <p>ZP3E-TF(32 to 125)(UM/BM)□-(AL14/AL16)</p> </div> <div style="text-align: center;">  <p>ZP3E-TF(32 to 125)(UM/BM)□-(B8/B12)</p> </div> <div style="text-align: center;">  <p>Ⓐ Stopper</p> </div> <div style="text-align: center;">  <p>Ⓑ Ball joint unit (Male thread) (With mounting nut)</p> </div> <div style="text-align: center;">  <p>Ⓑ Ball joint unit (Female thread)</p> </div> </div>

		Symbol	① Pad diameter symbol								
			32	40	50	63	80	100	125		
		Ⓐ Stopper	ZP3EA-S1				ZP3EA-S2				
Ⓑ Ball joint unit	② Pad form Flat type with groove	UM	③ Connection thread	Male thread	M14 x 1	AL14	ZP3EU-F1-TAL14	ZP3EU-F2-TAL14	—		
			Female thread	M16 x 1.5	AL16	—		ZP3EU-F3-TAL16	ZP3EU-F4-TAL16	ZP3EU-F5-TAL16	
		Male thread	M8 x 1.25	B8	ZP3EU-F1-TB8	ZP3EU-F2-TB8	—				
		Female thread	M12 x 1.75	B12	—		ZP3EU-F3-TB12	ZP3EU-F4-TB12	ZP3EU-F5-TB12		
	BM	Male thread	M14 x 1	AL14	ZP3EU-F1-TAL14	ZP3EU-F2-TAL14	—				
			M16 x 1.5	AL16	—		ZP3EU-F3-TAL16	ZP3EU-F4-TAL16	ZP3EU-F5-TAL16	ZP3EU-F6-TAL16	
		Female thread	M8 x 1.25	B8	ZP3EU-F1-TB8	ZP3EU-F2-TB8	—				
			M12 x 1.75	B12	—		ZP3EU-F3-TB12	ZP3EU-F4-TB12	ZP3EU-F5-TB12	ZP3EU-F6-TB12	
Ⓒ Mounting nut (Single unit)		M14 x 1	ZPNA-M14				—				
		M16 x 1.5	—				RBQ16J				

Adapter Assembly: Vacuum Inlet Direction Lateral Y Type/ZP3E-YF

Product part no.	<p>ZP3E - YF ① ② □ - ③</p> <p>● Pad diameter ● Connection thread (Male/Female thread)</p> <p>● Pad form ● Pad material</p>
Component parts	<div style="display: flex; justify-content: space-around; align-items: flex-start;"> <div style="text-align: center;">  <p>ZP3E-YF(32 to 125)(UM/BM)□-(AL14/AL16)</p> </div> <div style="text-align: center;">  <p>ZP3E-YF(32 to 125)(UM/BM)□-(B8/B12)</p> </div> <div style="text-align: center;">  <p>Ⓐ Stopper</p> </div> <div style="text-align: center;">  <p>Ⓑ Ball joint unit (Male thread) (With mounting nut)</p> </div> <div style="text-align: center;">  <p>Ⓑ Ball joint unit (Female thread)</p> </div> </div>

		Symbol	① Pad diameter symbol								
			32	40	50	63	80	100	125		
Ⓐ Stopper			ZP3EA-S1				ZP3EA-S2				
Ⓑ Ball joint unit	Ⓒ Pad form Flat type with groove	UM	Male thread	M14 x 1	AL14	ZP3EU-F1-YAL14	ZP3EU-F2-YAL14	—			
			Female thread	M16 x 1.5	AL16	—		ZP3EU-F3-YAL16	ZP3EU-F4-YAL16	ZP3EU-F5-YAL16	
		BM	Male thread	M8 x 1.25	B8	ZP3EU-F1-YB8	ZP3EU-F2-YB8	—			
			Female thread	M12 x 1.75	B12	—		ZP3EU-F3-YB12	ZP3EU-F4-YB12	ZP3EU-F5-YB12	
	Ⓒ Connection thread	UM	Male thread	M14 x 1	AL14	ZP3EU-F1-YAL14	ZP3EU-F2-YAL14	—			
			Female thread	M16 x 1.5	AL16	—		ZP3EU-F3-YAL16	ZP3EU-F4-YAL16	ZP3EU-F5-YAL16	ZP3EU-F6-YAL16
		BM	Male thread	M8 x 1.25	B8	ZP3EU-F1-YB8	ZP3EU-F2-YB8	—			
			Female thread	M12 x 1.75	B12	—		ZP3EU-F3-YB12	ZP3EU-F4-YB12	ZP3EU-F5-YB12	ZP3EU-F6-YB12
Ⓒ Mounting nut (Single unit)			M14 x 1	ZPNA-M14			—				
			M16 x 1.5	—			RBQ16J				

Buffer Assembly: Vacuum Inlet Direction **Vertical** T Type/ZP3E-TF, **Lateral** Y Type/ZP3E-YF

Product part no. ZP3E - (T/Y) F ① ② □ JB ③

Pad diameter ● ● ● ● Buffer stroke
 Pad form ● ● Pad material

Component parts

① Stopper

② Ball joint buffer unit (Male thread) (With mounting nut) ② Ball joint buffer unit (Female thread) (With mounting nut)

③ Mounting nut Mounting nut

ZP3E-TF(32 to 125)(UM/BM)□JB(10 to 50) ZP3E-YF(32 to 125)(UM/BM)□JB(10 to 50)

		Symbol	① Pad diameter symbol							
			32	40	50	63	80	100	125	
① Stopper			ZP3EA-S1				ZP3EA-S2			
② Ball joint buffer unit	② Pad form	Flat type with groove	UM	ZP3EU-(T/Y)F1JB③	ZP3EU-(T/Y)F2JB③	ZP3EU-(T/Y)F3JB③		ZP3EU-(T/Y)F4JB③	ZP3EU-(T/Y)F5JB③	
		Bellows type with ribs and groove	BM	ZP3EU-(T/Y)F1JB③	ZP3EU-(T/Y)F2JB③	ZP3EU-(T/Y)F3JB③	ZP3EU-(T/Y)F4JB③	ZP3EU-(T/Y)F5JB③	ZP3EU-(T/Y)F6JB③	
③ Mounting nut (Single unit)		M18 x 1.5	NT-05				—			
		M22 x 1.5	—				ZPNA-M22			

[Buffer unit part number example]

Product part no. ZP3E-TF32UMN JB 10

Buffer assembly ZP3EU-TF1 JB 10

③ Buffer stroke