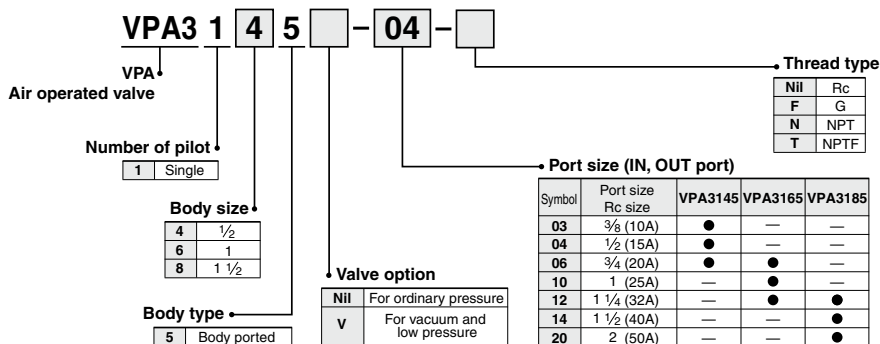


3 Port Air Operated Valve

VPA3145/3165/3185 Series

How to Order



VPA3165-06



VPA3145-03

Specifications

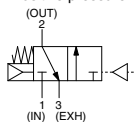
Fluid	Air	
Type of actuation	N.C. only (N.O. only for vacuum)	
Operating pressure range	For vacuum and low pressure	For ordinary pressure
	-101.2 kPa to 0.2 MPa	0.2 to 0.8 MPa
Pilot pressure range	Refer to the graph of pilot pressure.	
Ambient and fluid temperature (°C)	0 (No freezing) to 60	
Lubrication	Required (Turbine oil, Class 1 ISO VG32 equivalent)	
Mounting orientation	Free	
Impact/Vibration resistance (m/s ²) ^{Note}	150/50	

Note) Impact resistance: No malfunction from test using drop impact tester, to axis and right angle directions of main valve, each one time when pilot signal ON and OFF. (Value in the initial stage)

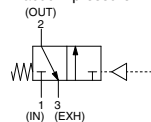
Vibration resistance: No malfunction from test with 45 to 1000 Hz one sweep, to axis and right angle direction of main valve, each one time when pilot signal ON and OFF. (Value in the initial stage)

Symbol

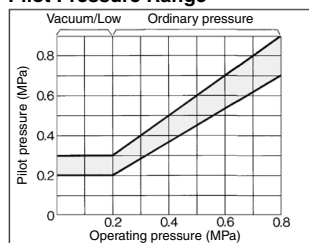
<Positive pressure>



<Vacuum pressure>



Pilot Pressure Range



Precautions

Be sure to read this before handling the products.

Refer to page 8 for safety instructions and pages 9 to 15 for 3/4/5 port solenoid valve precautions.



Caution

- Lubrication**
Since this valve needs lubrication, use turbine oil Class 1 (ISO VG32).
- Refer to pages 1117 and 1124 for information about the pressure applied to piping and ports, quality of air and piping for vacuum applications.

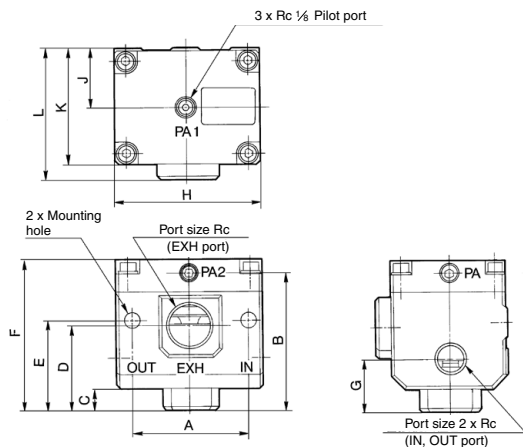
VPA31□5 Series

Flow Rate Characteristics/Weight

Valve model	Port size		Flow rate characteristics						Weight (kg)
			1→2(IN→OUT)			2→3(OUT→EXH)			
	1(IN), 2(OUT)	3(EXH)	C[dm ³ /(s·bar)]	b	Cv	C[dm ³ /(s·bar)]	b	Cv	
VPA3145	3/8	3/4	19	0.43	5.5	18	0.47	5.4	
	1/2		23	0.32	6.2	21	0.39	5.8	
	3/4		28	0.36	7.6	26	0.35	7.0	

Valve model	Port size		Effective area (mm ²)		Weight (kg)
	1(IN), 2(OUT)	3(EXH)	1→2(IN→OUT)	2→3(OUT→EXH)	
VPA3165	3/4	1 1/4	230	280	1.5
	1		280	310	
	1 1/4		310	330	
VPA3185	1 1/4	2	570	650	2.3
	1 1/2		650	670	
	2		650	670	

Dimensions



Model	Port size Rc			A	B	C	D	E	F	G	H	J	K	L	Mounting hole
	IN	OUT	EXH												
VPA3145	3/8	3/4	3/4	71	85	14	52	55	93	32	87.4	36	71	80	Ø8.5
	1/2														
	3/4														
VPA3165	1	1 1/4	3/4	82.6	110	17	68	75	118	45	113	36	71	95	Ø8.5
	1 1/4														
	1 1/2														
VPA3185	1 1/2	2	3/4	118	132	14	80	95	140	52	140	41	81	105	Ø13
	2														