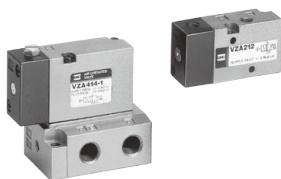


3 Port Air Operated Valve

VZA200/400 Series



Fluid	Air	
Operating pressure range (MPa)	VZA2 $\frac{1}{2}$ 2, 2 $\frac{1}{4}$ 4	0.1 to 1.0
	VZA4 $\frac{1}{2}$ 2, 4 $\frac{1}{4}$ 4	0.15 to 1.0
Pilot pressure range (MPa)	VZA2 $\frac{1}{2}$ 2, 2 $\frac{1}{4}$ 4	0.1 to 1.0
	VZA4 $\frac{1}{2}$ 2, 4 $\frac{1}{4}$ 4	0.15 to 1.0
Ambient and fluid temperature (°C)	-10 to 60 (No freezing.)	
Impact/Vibration resistance (m/s ²) (Note)	150/50	

Operating pressure ≤ Pilot pressure

Note) Impact resistance: No malfunction from test using drop impact tester, to axis and right angle directions of main valve, each one time when pilot signal ON and OFF. (Value in the initial stage)

Vibration resistance: No malfunction from test with 45 to 2000 Hz one sweep, to axis and right angle direction of main valve, each one time when pilot signal ON and OFF. (Value in the initial stage)

Model

Valve model	Type of actuation	Pilot	Port size	Flow rate characteristics ⁽²⁾						Pilot port size	
				1→4/2(P→A/B)			4/2→5/3(A/B→EA/EB)				
				C [dm ³ /(s·bar)]	b	Cv	C [dm ³ /(s·bar)]	b	Cv		
Body ported	VZA212-P-M5	N.C.	Body side	M5 x 0.8	0.60	0.43	0.15	0.52	0.35	0.13	M5 x 0.8
	VZA222-P-M5	N.O.	Body side	M5 x 0.8	0.60	0.43	0.15	0.52	0.35	0.13	M5 x 0.8
Base mounted (with sub-plate)	VZA214-1P-01	N.C.	Sub-plate side	Rc 1/8	1.0	0.30	0.25	0.85	0.35	0.22	M5 x 0.8
	VZA214-2P-01	N.C.	Body side	Rc 1/8	1.0	0.30	0.25	0.85	0.35	0.22	M5 x 0.8
	VZA224-1P-01	N.O.	Sub-plate side	Rc 1/8	0.90	0.25	0.21	0.85	0.35	0.22	M5 x 0.8
	VZA224-2P-01	N.O.	Body side	Rc 1/8	0.90	0.25	0.21	0.85	0.35	0.22	M5 x 0.8
	Base mounted	VZA412-P-01	N.C.	Body side	Rc 1/8	2.0	0.14	0.49	2.2	0.17	0.53
Base mounted	VZA422-P-01	N.O.	Body side	Rc 1/8	2.0	0.17	0.49	2.2	0.17	0.53	M5 x 0.8
	VZA414-1P-01	N.C.	Sub-plate side	Rc 1/8	2.4	0.19	0.57	2.2	0.11	0.49	M5 x 0.8
	VZA414-1P-02			Rc 1/4							
	VZA414-2P-01	N.C.	Body side	Rc 1/8	2.4	0.19	0.57	2.2	0.11	0.49	M5 x 0.8
	VZA414-2P-02			Rc 1/4							
	VZA424-1P-01	N.O.	Sub-plate side	Rc 1/8	2.4	0.19	0.57	1.9	0.32	0.45	M5 x 0.8
	VZA424-1P-02			Rc 1/4							
	VZA424-2P-01	N.O.	Body side	Rc 1/8	2.4	0.19	0.57	1.9	0.32	0.45	M5 x 0.8
VZA424-2P-02	Rc 1/4										

Note 1) Base mounted type model no. without sub-plate are VZA2 $\frac{1}{2}$ 4- $\frac{1}{2}$ P, VZA4 $\frac{1}{2}$ 4- $\frac{1}{2}$ P.

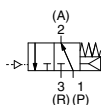
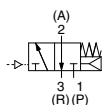
Note 2) Value at the maximum port size

Cannot be used as universal porting.

Symbol

VZA2 $\frac{1}{2}$ $\frac{1}{4}$
VZA4 $\frac{1}{2}$ $\frac{1}{4}$

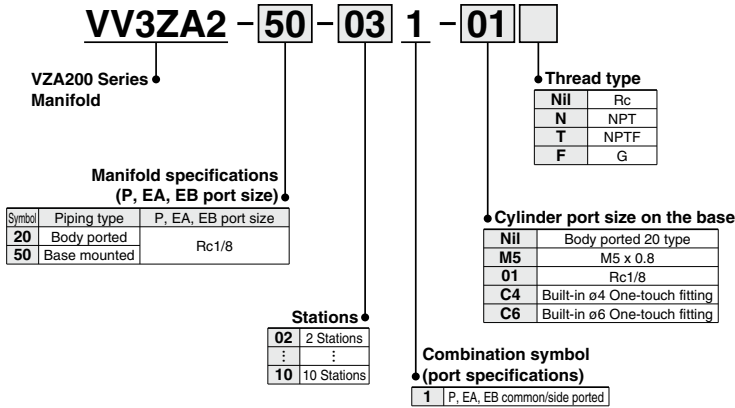
VZA22 $\frac{2}{2}$
VZA42 $\frac{2}{4}$



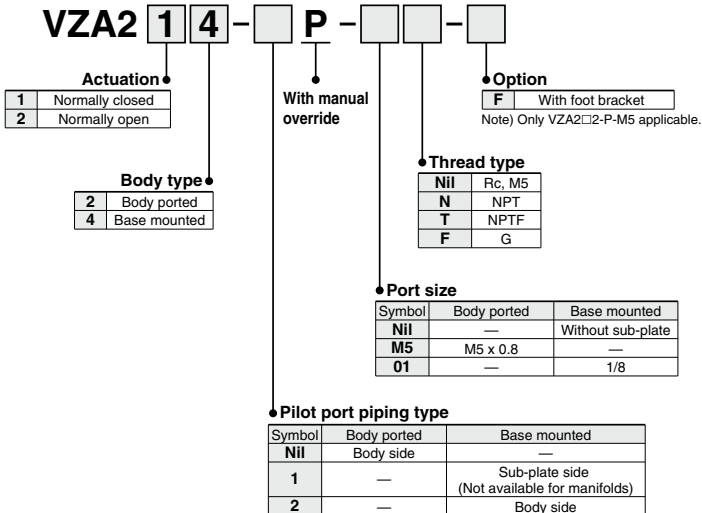
⚠ Caution

Be sure to read this before handling the products. Refer to page 8 for safety instructions and pages 9 to 15 for 3/4/5 port solenoid valve precautions.

How to Order Manifold



How to Order Valve



With Bracket

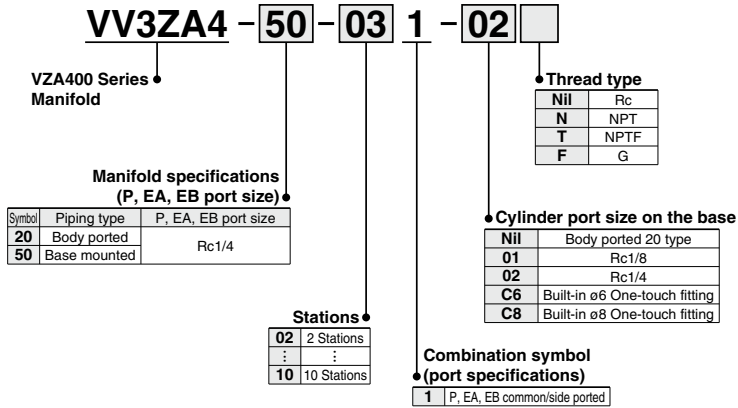
VZA200	Air operated valve model	VZA2□2-P-M5-F
	Bracket assembly part no.	VZ2000-37A-2

* To order valves and blanking plate assembly mounted onto the manifold, list valves and blanking plate assembly with manifold base part number.

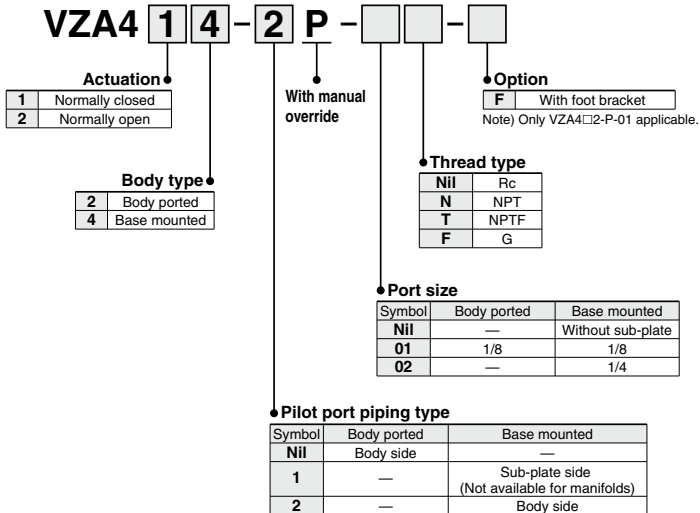
<p><Example: VZA200 Body ported></p> <p>VV3ZA2-20-0311 pc.</p> <p>VZA212-P-M5 2 pcs.</p> <p>VVZ200-32A-11 pc.</p>	<p><Example: VZA200 Base mounted></p> <p>VV3ZA2-50-031-01 1 pc.</p> <p>VZA214-2P 2 pcs.</p> <p>VVZ200-31A-11 pc.</p>
---	--

VZA200/400 Series

How to Order Manifold



How to Order Valve



With Bracket

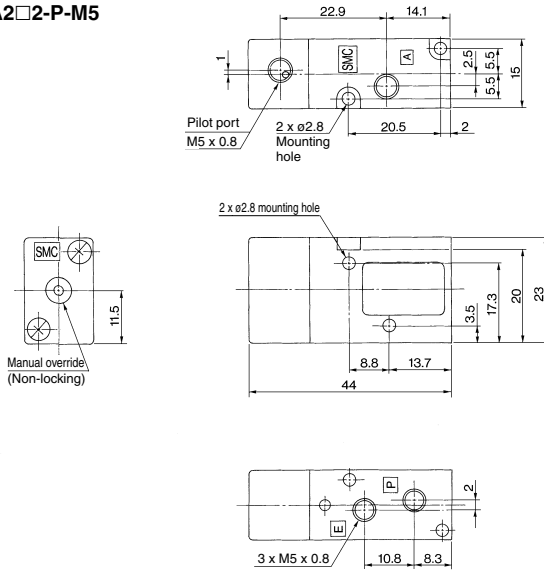
VZA400	Air operated valve model	VZA4□2-P-01-F
	Bracket assembly part no.	VZ4000-22A

* To order valves and blanking plate assembly mounted onto the manifold, list valves and blanking plate assembly with manifold base part number.

<Example: VZA400 Body ported> <Example: VZA400 Base mounted>
VV3ZA4-20-031 1 pc. **VV3ZA4-50-031-02** 1 pc.
 VZA412-P-01 2 pcs. VZA414-2P 2 pcs.
 VVZ400-32A-1 1 pc. VVZ400-32A-2 1 pc.

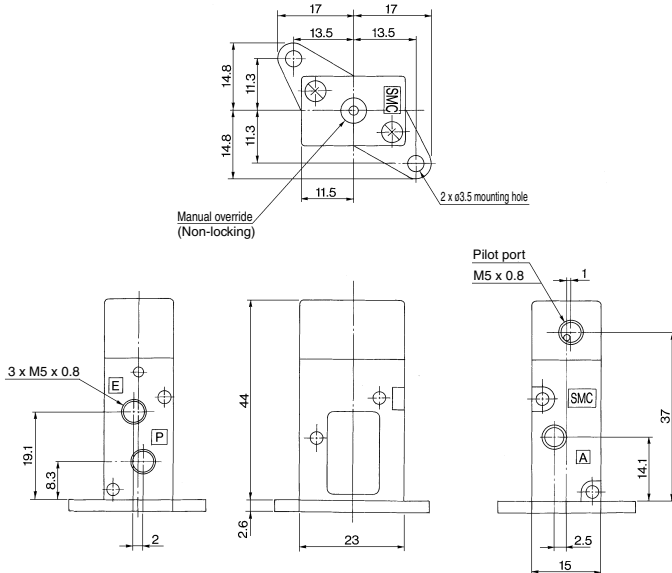
Dimensions

Body ported: VZA2□2-P-M5



Foot bracket

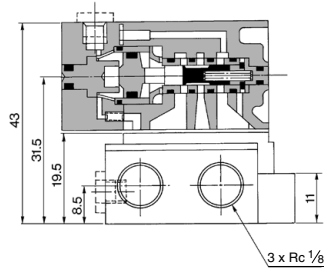
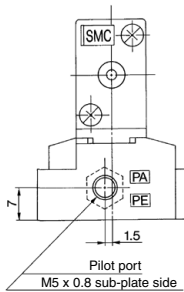
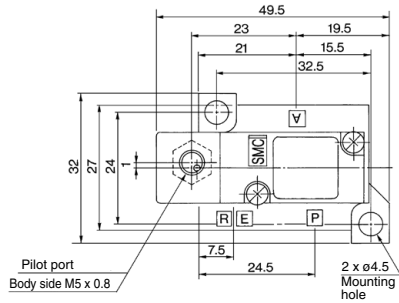
Body ported: VZA2□2-P-M5-F



VZA200/400 Series

Dimensions

Base mounted: VZA2□4-□-01



International Thread Standards Other than Rc

Rc specifications are standard for all ports, however, NPT, NPTF and G are available for international markets.

Add the appropriate symbol following the port size in the standard part number.

<How to Order Valve>

VZA412 - P - 01

VZA414 - 1P - 01

Thread type

NII	Rc
N	NPT
T	NPTF
F	G

<How to Order Manifold>

VV3ZA2 - 50 - 031 - 01

Thread type

NII	Rc
N	NPT
T	NPTF
F	G

<How to Order Sub-plate>

VZA200 - S - 01

Thread type

NII	Rc
N	NPT
T	NPTF
F	G

Sub-plate Assembly Part No.

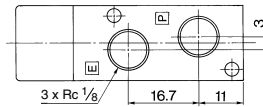
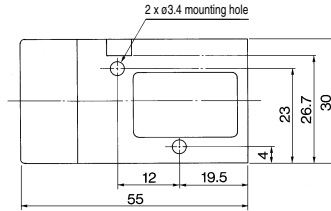
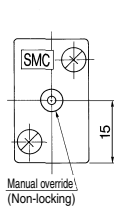
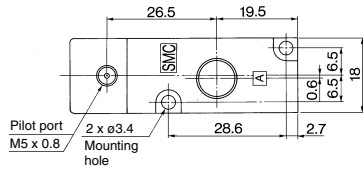
Model	Part no.
VZA200	VZA200-S-01
VZA400	VZA400-S-01 ⁰¹ ₀₂

* Mounting bolt and gasket are not included.

3 Port Air Operated Valve **VZA200/400 Series**

Dimensions

Body ported: VZA4□2-P-01



Base mounted: VZA4□4-□-01

