

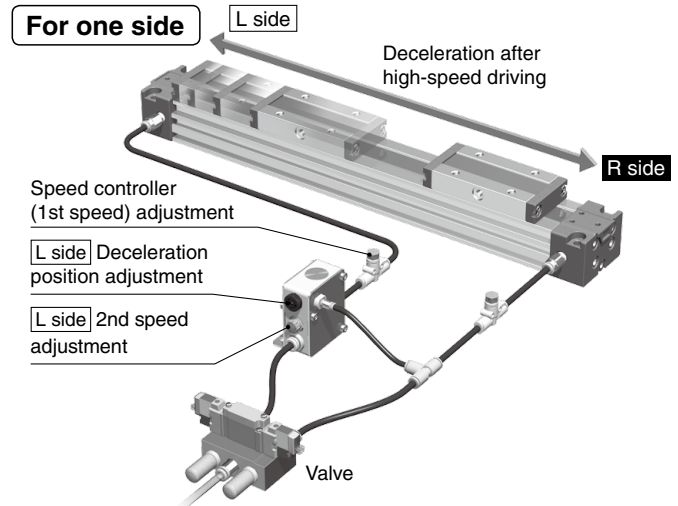
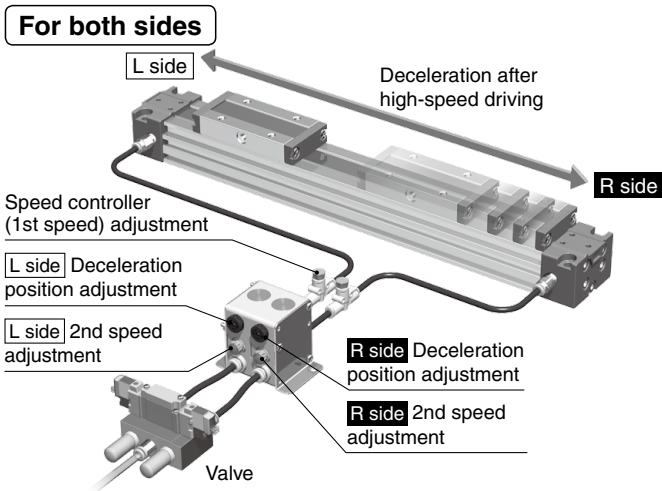
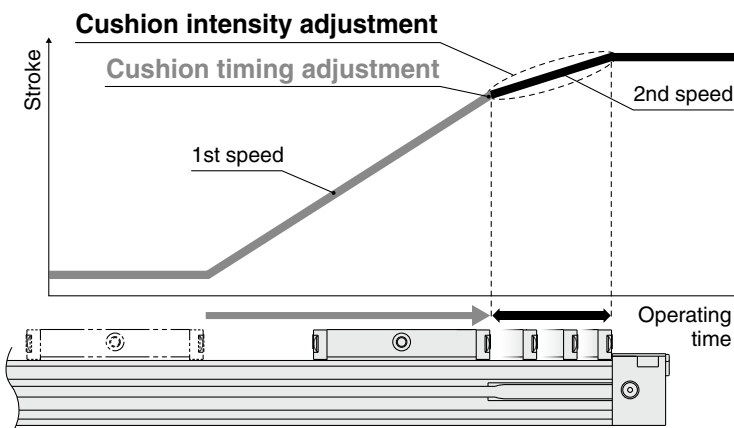
# Deceleration Controller

RoHS

- 2-speed control reduces cycle time
- Allows for the impact relaxation of the stroke end

■ Allows for the 2-speed control of cylinders

The deceleration position (cushion timing) and 2nd speed (cushion intensity) can be adjusted.



- Provides impact relaxation in cases where it is difficult to install a shock absorber, etc.
- No fluctuation effect on the supply pressure
- Can be easily introduced to existing equipment due to installation between the valve and cylinder

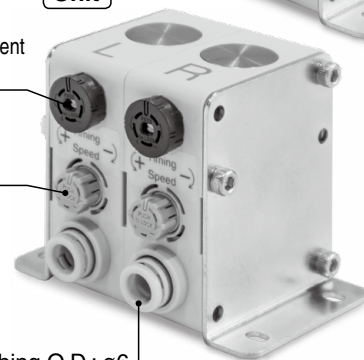
**DAS-X946**

One side (Right side)



Unit

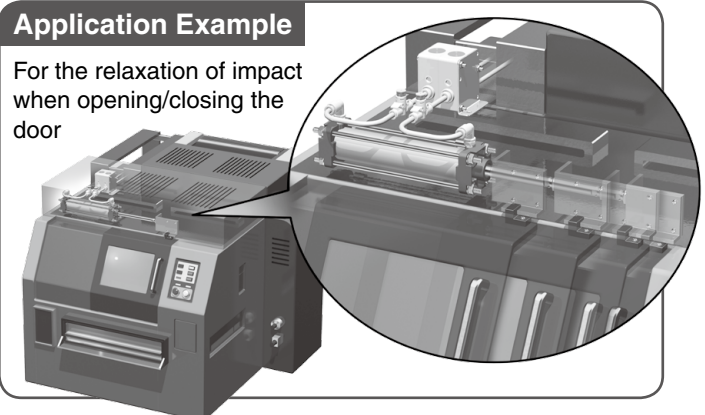
Deceleration position adjustment (Black)  
2nd speed adjustment (Gray)



Applicable tubing O.D.:  $\phi 6$

**Application Example**

For the relaxation of impact when opening/closing the door



# DAS-X946

## Target Cylinder Area

Bore size	ø10 to ø40
Stroke	From 150 mm

## Flow Rate Characteristics

Bore size		ø4	ø6	ø8
C values: Sonic conductance dm <sup>3</sup> /(s·bar)	Before deceleration	0.7	1.5	2.0
	After deceleration	0.2		

## Specifications

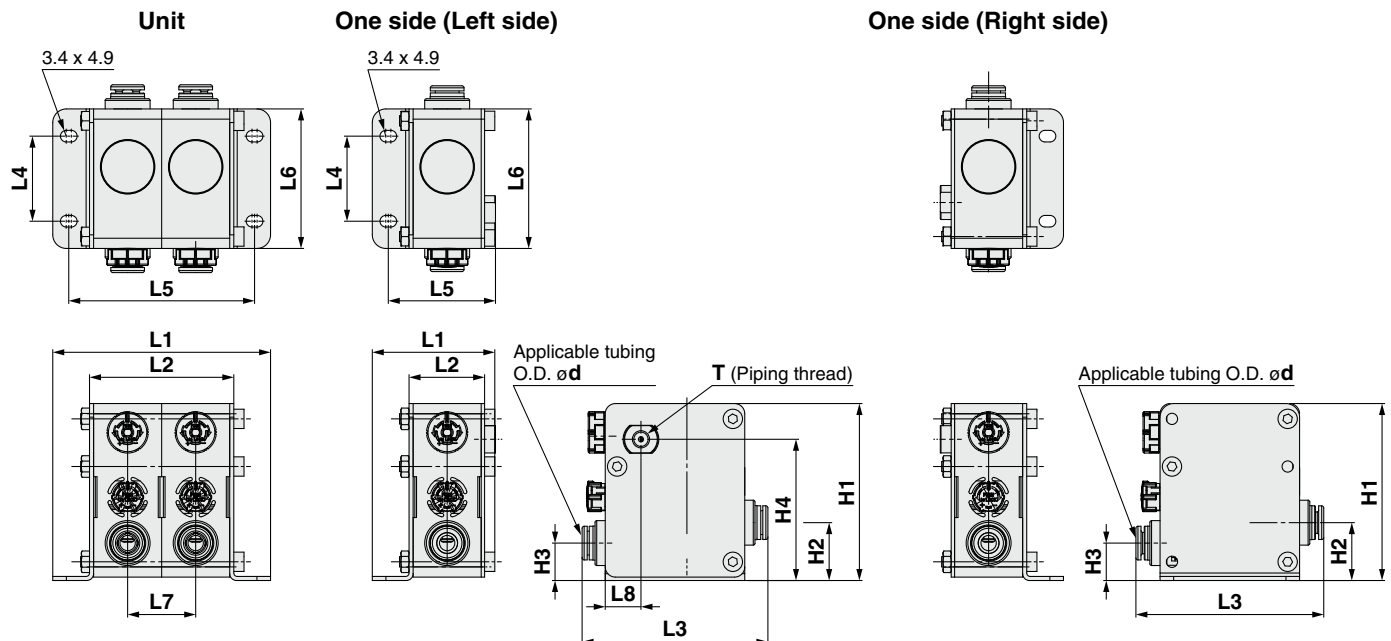
Fluid	Air
Max. operating pressure	0.7 MPa
Min. operating pressure	0.3 MPa
Ambient and fluid temperatures	0 to 60°C
Applicable tubing material	Nylon, Soft nylon, Polyurethane, FEP, PFA

## How to Order

**DAS5**    - **06** - X946

Specifications		Applicable tubing O.D.	
<b>L</b>	One side (Left side)	<b>04</b>	ø4
<b>R</b>	One side (Right side)	<b>06</b>	ø6
<b>Nil</b>	Unit	<b>08</b>	ø8

## Dimensions



### For both sides

Model	d	H1	H2	H3	L1	L2	L3	L4	L5	L6	L7	Weight [g]
DAS5-04-X946	4	52	17	11	64	42.4	54.4	25	54.6	41	20	134
DAS5-06-X946	6						55.2					140
DAS5-08-X946	8						77.6					162

### For one side (L/R)

Model	d	H1	H2	H3	H4	L1	L2	L3	L4	L5	L6	L8	T	Weight [g]
DAS5L-04-X946	4	52	17	11	41.5	36	22.2	54.4	25	31.5	41	10.5	M5 x 0.8	86
DAS5R-04-X946								13.5				13.5		
DAS5L-06-X946	6							10.5				89		
DAS5R-06-X946	13.5							13.5						
DAS5L-08-X946	8							10.5				100		
DAS5R-08-X946								13.5						

**⚠ Safety Instructions** Be sure to read the "Handling Precautions for SMC Products" (M-E03-3) and "Operation Manual" before use.

## SMC Corporation

Akihabara UDX 15F,  
4-14-1, Sotokanda, Chiyoda-ku, Tokyo 101-0021, JAPAN  
Phone: 03-5207-8249 Fax: 03-5298-5362  
<https://www.smcworld.com>  
© 2020 SMC Corporation All Rights Reserved



D-G