

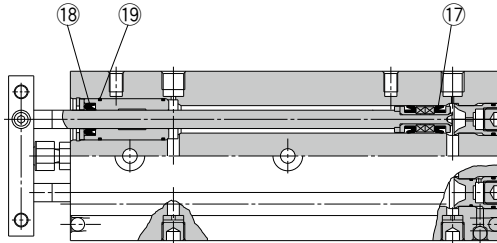
# CXS Series

ø6, ø10, ø15, ø20, ø25, ø32

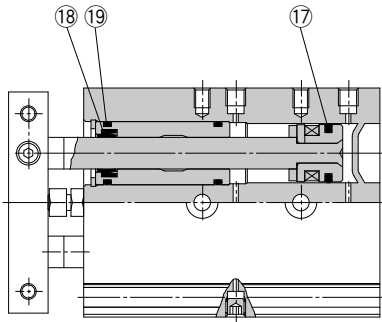


## Construction

### CXSM6



### CXSM10 to 32



\* The numbers correspond with those in the "Construction" of the CXS series in the **Web Catalog**.

### Seal Kit List

No.	Description	Material	Note
⑰	Piston seal	NBR	
⑱	Rod seal		
⑲	O-ring		

### Replacement Parts: Seal Kit

Bore size (mm)	Part no.	Contents
6	CXSM6-PS	Set of nos. ⑰, ⑱, ⑲
10	CXSM10APS	
15	CXSM15-PS	
20	CXSM20-PS	
25	CXSM25-PS	
32	CXSM32-PS	

\* The seal kit includes ⑰, ⑱ and ⑲. Order the seal kit based on each bore size.

\* Since the seal kit does not include a grease pack, it should be ordered separately.

**Grease pack part no.: GR-S-010 (10 g)**

Actuators

Rotary Actuators  
Air Grippers

Modular F.R.L.  
Pressure Control Equipment

Air Preparation  
Equipment

Industrial Filters

Replacement  
Procedure

Actuators

Rotary Actuators  
Air Grippers

Modular F.R.L.  
Pressure Control Equipment

Air Preparation Equipment  
Industrial Filters

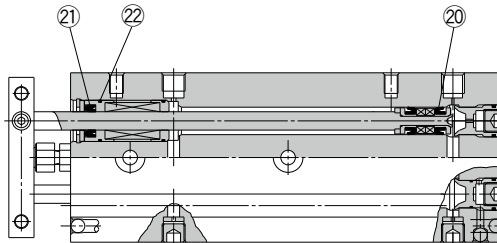
# CXS Series

ø6, ø10, ø15, ø20, ø25, ø32

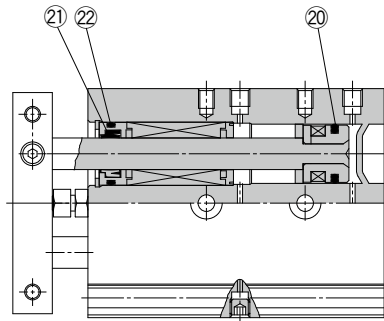


## Construction

### CXSL6



### CXSL10 to 32



\* The numbers correspond with those in the "Construction" of the CXS series in the **Web Catalog**.

### Seal Kit List

No.	Description	Material	Note
②①	Piston seal	NBR	
②①	Rod seal		
②②	O-ring		

### Replacement Parts: Seal Kit

Bore size (mm)	Part no.	Contents
6	CXSL6-PS	Set of nos. ②①, ②②
10	CXSL10BPS	
15	CXSL15APS	
20	CXSL20APS	
25	CXSL25APS	
32	CXSL32APS	

\* The seal kit includes ②①, ②① and ②②. Order the seal kit based on each bore size.

\* Since the seal kit does not include a grease pack, it should be ordered separately.

**Grease pack part no.: GR-S-010 (10 g)**

# Dual Rod Cylinder/With Air Cushion

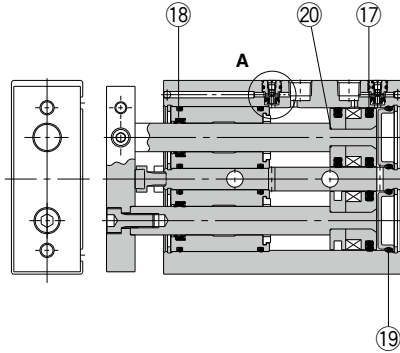
# CXS Series

ø20, ø25, ø32

The Replacement Procedure is on p. 443

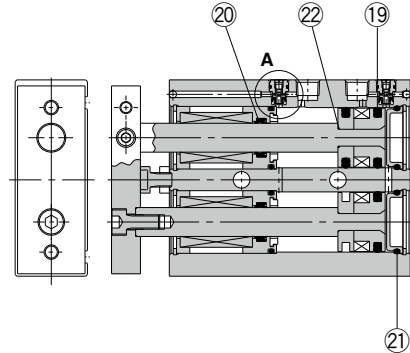
## Construction

### CXSM/With air cushion



Close-up of A

### CXSL/With air cushion



Close-up of A

\* The numbers correspond with those in the "Construction" of the CXS series in the **Web Catalog**.

### Seal Kit List (CXSM)

No.	Description	Material	Note
17	Piston seal	NBR	20 and 23 to 25 are non-replaceable parts, so they are not included in the seal kit.
18	Rod seal		
19	O-ring		
20	O-ring		
23	Check seal		
24	Needle gasket		
25	Check gasket		

### Replacement Parts: Seal Kit (CXSM)

Bore size (mm)	Part no.	Contents
20	CXSM20A-PS	Set of nos. 17, 18, 19
25	CXSM25A-PS	
32	CXSM32A-PS	

- \* The seal kit includes 17, 18 and 19. Order the seal kit based on each bore size.
- \* Since the seal kit does not include a grease pack, it should be ordered separately.

Grease pack part no.: GR-S-010 (10 g)

### Seal Kit List (CXSL)

No.	Description	Material	Note
19	Piston seal	NBR	22 and 25 to 27 are non-replaceable parts, so they are not included in the seal kit.
20	Rod seal		
21	O-ring		
22	O-ring		
25	Check seal		
26	Needle gasket		
27	Check gasket		

### Replacement Parts: Seal Kit (CXSL)

Bore size (mm)	Part no.	Contents
20	CXSL20A-PS	Set of nos. 19, 20, 21
25	CXSL25A-PS	
32	CXSL32A-PS	

- \* The seal kit includes 19, 20 and 21. Order the seal kit based on each bore size.
- \* Since the seal kit does not include a grease pack, it should be ordered separately.

Grease pack part no.: GR-S-010 (10 g)

Actuators

Rotary Actuators  
Air Grippers

Modular F.R.L.  
Pressure Control Equipment

Air Preparation  
Equipment

Industrial Filters

Replacement  
Procedure

Actuators

Rotary Actuators  
Air Grippers

Modular F.R.L.  
Pressure Control Equipment

Air Preparation  
Equipment  
Industrial Filters

# Dual Rod Cylinder/With End Lock for Retraction Side

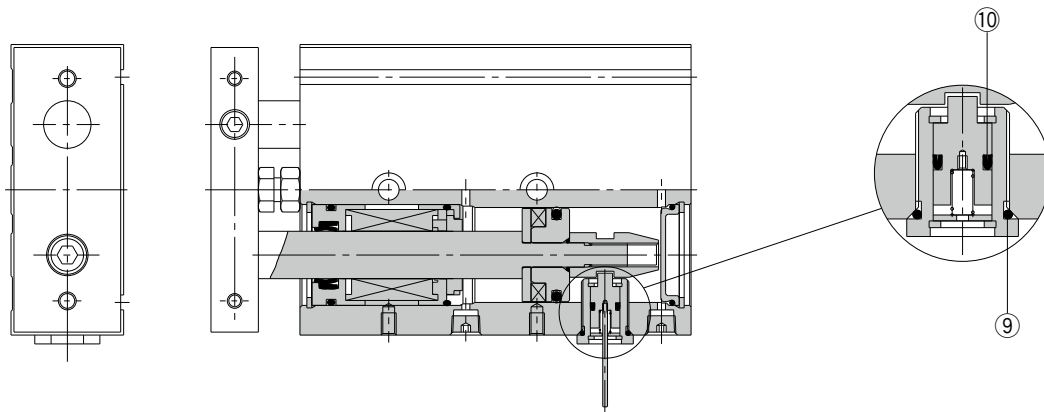
# CXS Series

ø6, ø10, ø15, ø20, ø25, ø32



## Construction

### CXSM6



\* The numbers correspond with those in the "Construction" of the CXS series in the **Web Catalog**.

### Seal Kit List

No.	Description	Material	Note
⑨	O-ring	NBR	
⑩	Rod seal		

### Replacement Parts: Seal Kit

Bore size (mm)	Part no.	Contents
6	CXSRM6-PS	Includes the kit components of the seal kit featured on page 177 plus items ⑨ and ⑩ from the left parts list.
	CXSRL6APS	
10	CXSRM10-PS	
	CXSRL10APS	
15	CXSRM15-PS	
	CXSRL15APS	
20	CXSRM20-PS	
	CXSRL20APS	
25	CXSRM25-PS	
	CXSRL25APS	
32	CXSRM32-PS	
	CXSRL32APS	

\* Seal kits includes the basic type seal (page 177), ⑨ and ⑩. Order the seal kit based on each bore size.

\* Since the seal kit does not include a grease pack, it should be ordered separately.

**Grease pack part no.:**GR-S-010 (10 g)