

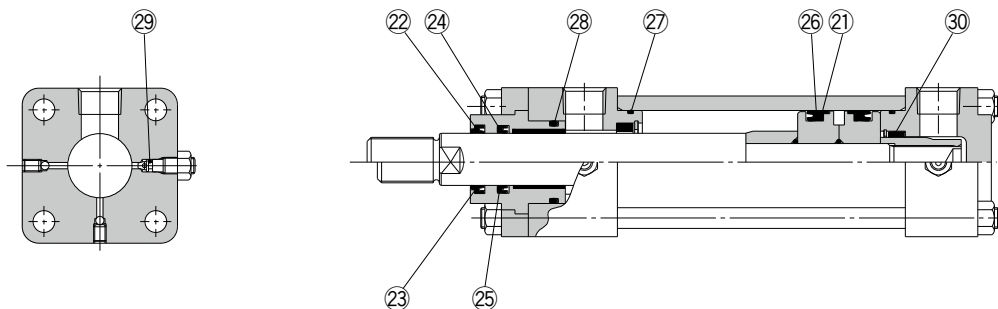
JIS Standard Hydraulic Cylinder/Double Acting, Single Rod

CH2E/CH2F/CH2G/CH2H Series

ø32, ø40
ø50, ø63
ø80, ø100

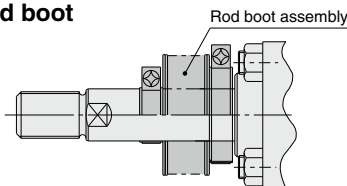


Construction



* The numbers correspond with those in the "Construction" of the CH2E/CH2F/CH2G/CH2H series in the **Web Catalog**.

With rod boot



* Replaceable with the rod boot assembly
For details on replacement part numbers, refer to page 254.

Seal Kit List

No.	Description	Material	Note
21	Back-up ring	Resin	
22	Scraper (B-series rod)	NBR	
23	Scraper (C-series rod)	NBR	
24	Rod seal (B-series rod)	NBR	
25	Rod seal (C-series rod)	NBR	
26	Piston seal	NBR	
27	Cylinder tube gasket	NBR	
28	Holder gasket	NBR	
29	Cushion valve seal	NBR	
30	Cushion seal	—	

Replacement Parts: Seal Kit

Bore size (mm)	Part no.		Contents
	B-series rod	C-series rod	
32	CH2E32B-PS	/	
	CH2F32B-PS		
	CH2G32B-PS		
	CH2H32B-PS		
40	CH2E40B-PS	CH2E40C-PS	
	CH2F40B-PS	CH2F40C-PS	
	CH2G40B-PS	CH2G40C-PS	
	CH2H40B-PS	CH2H40C-PS	
50	CH2E50B-PS	CH2E50C-PS	B-series rod: Set of nos. 21, 22, 24, 26, 27, 28, 29, 30
	CH2F50B-PS	CH2F50C-PS	
	CH2G50B-PS	CH2G50C-PS	
	CH2H50B-PS	CH2H50C-PS	
63	CH2E63B-PS	CH2E63C-PS	C-series rod: Set of nos. 21, 23, 25, 26, 27, 28, 29, 30
	CH2F63B-PS	CH2F63C-PS	
	CH2G63B-PS	CH2G63C-PS	
	CH2H63B-PS	CH2H63C-PS	
80	CH2E80B-PS	CH2E80C-PS	
	CH2F80B-PS	CH2F80C-PS	
	CH2G80B-PS	CH2G80C-PS	
	CH2H80B-PS	CH2H80C-PS	
100	CH2E100B-PS	CH2E100C-PS	
	CH2F100B-PS	CH2F100C-PS	
	CH2G100B-PS	CH2G100C-PS	
	CH2H100B-PS	CH2H100C-PS	

* The seal kit consists of items 21 through 30 and can be ordered by using the seal kit number for each bore size.